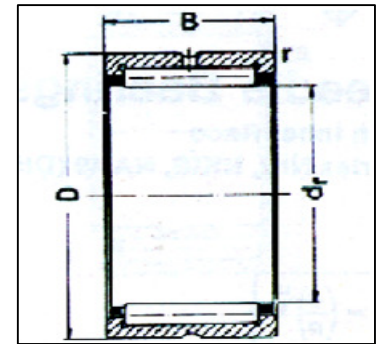


"TOYO" Needle Roller Bearings



BR SERIES						
Bearing No.	dr		D		B	
	Inch	MM	Inch	MM	Inch	MM
BR-101812	5/8	15.875	1.1/8	28.575	3/4	19.050
BR-122012	3/4	19.050	1.1/4	31.750	3/4	19.050
BR-122016	3/4	19.050	1.1/4	31.750	1	25.400
BR-142212	7/8	22.225	1.3/8	34.925	3/4	19.050
BR-142216	7/8	22.225	1.3/8	34.925	1	25.400
BR-162412	1	25.400	1.1/2	38.100	3/4	19.050
BR-162416	1	25.400	1.1/2	38.100	1	25.400
BR-182616	1.1/8	28.575	1.5/8	41.275	1	25.400
BR-182620	1.1/8	28.575	1.5/8	41.275	1.1/4	31.750
BR-202816	1.1/4	31.750	1.3/4	44.450	1	25.400
BR-202820	1.1/4	31.750	1.3/4	44.450	1.1/4	31.750
BR-223016	1.3/8	34.925	1.7/8	47.625	1	25.400
BR-223020	1.3/8	34.925	1.7/8	47.625	1.1/4	31.750
BR-243316	1.1/2	38.100	2.1/16	52.388	1	25.400
BR-243320	1.1/2	38.100	2.1/16	52.388	1.1/4	31.750
BR-263516	1.5/8	41.275	2.3/16	55.562	1	25.400
BR-263520	1.5/8	41.275	2.3/16	55.562	1.1/4	31.750
BR-283716	1.3/4	44.450	2.5/16	58.738	1	25.400
BR-283720	1.3/4	44.450	2.5/16	58.738	1.1/4	31.750
BR-283820	1.3/4	44.450	2.3/8	60.325	1.1/4	31.750
BR-303920	1.7/8	47.625	2.7/16	61.325	1.1/4	31.750
BR-324116	2	50.800	2.9/16	65.088	1	25.400
BR-324120	2	50.800	2.9/16	65.088	1.1/4	31.750
BR-364824	2.1/4	57.150	3	76.200	1.1/2	38.100
BR-364828	2.1/4	57.150	3	76.200	1.3/4	44.450
BR-405224	2.1/2	63.500	3.1/4	82.550	1.1/2	38.100
BR-405228	2.1/2	63.500	3.1/4	82.550	1.3/4	44.450
BR-445624	2.3/4	69.850	3.1/2	88.900	1.1/2	38.100
BR-445628	2.3/4	69.850	3.1/2	88.900	1.3/4	44.450
BR-486024	3	76.200	3.3/4	95.250	1.1/2	38.100
BR-486028	3	76.200	3.3/4	95.250	1.3/4	44.450
BR-526828	3.1/4	82.550	4.1/4	107.95	1.3/4	44.450
BR-526832	3.1/4	82.550	4.1/2	107.95	2	50.800
BR-567232	3.1/2	88.900	4.1/2	114.30	2	50.800
BR-607632	3.3/4	95.250	4.3/4	120.25	2	50.800
BR-648032	4	101.60	5	127.00	2	50.800



"TOYO" Needle Roller Bearings



BRI SERIES With Inner Race						
Bearing No.	dr		D		B	
	Inch	MM	Inch	MM	Inch	MM
BRI 61812	3/8	9.925	1.1/8	28.575	3/4	19.050
BRI 82012	1/2	12.700	1.1/4	31.750	1	25.400
BRI 82016	1/2	12.700	1.1/4	31.700	1	25.400
BRI 102212	5/8	15.875	1.3/8	34.925	3/4	19.050
BRI 102216	5/8	15.875	1.3/8	34.925	1	25.400
BRI 122412	3/4	19.050	1.1/3	38.100	3/4	19.050
BRI 122416	3/4	19.050	1.1/2	38.100	1	25.400
BRI 142616	7/8	22.225	1.5/8	41.275	1.1/8	31.750
BRI 162816	1	25.400	1.3/4	44.450	1	25.400
BRI 162820	1	25.400	1.3/4	44.450	1.1/4	31.750
BRI 183016	1.1/8	28.575	1.7/8	47.628	1	25.400
BRI 183020	1.1/8	28.575	1.7/8	47.625	1.1/4	31.750
BRI 203316	1.1/4	31.750	2.1/16	52.388	1	25.400
BRI 203320	1.1/4	31.750	2.1/16	52.388	1.1/4	31.750
BRI 223516	1.3/8	34.925	2.3/16	55.562	1	25.400
BRI 223520	1.3/8	34.925	2.3/16	55.562	1.1/4	31.750
BRI 243716	1.1/2	38.100	2.5/16	58.738	1	25.400
BRI 243720	1.1/2	38.100	2.5/16	58.738	1.1/4	31.750
BRI 243820	1.1/2	38.100	2.3/8	60.325	1.1/4	31.750
BRI 243920	1.1/2	38.100	2.7/16	31.912	1.1/4	31.750
BRI 264116	1.5/8	41.275	2.9/16	65.088	1	25.400
BRI 264120	1.5/8	41.275	2.9/16	65.088	1.1/4	31.750
BRI 284824	1.3/4	44.450	3	75.200	1.1/2	38.100
BRI 284828	1.3/4	44.450	3	76.200	1.1/2	44.450
BRI 325224	2	50.800	3.1/4	82.550	1.1/2	38.100
BRI 325228	2	50.800	3.1/4	82.550	1.3/4	44.450
BRI 365624	2.1/4	57.150	3.1/2	88.900	1.1/2	38.100
BRI 365628	2.1/4	57.150	3.1/2	88.900	1.3/4	44.450
BRI 406024	2.1/2	63.500	3.3/4	95.250	1.1/2	38.100
BRI 406028	2.1/2	63.500	3.3/4	95.250	1.3/4	44.450
BRI 446828	2.3/4	69.850	4.1/4	107.95	1.3/4	44.450
BRI 446832	2.3/4	69.850	4.1/4	107.95	2	50.800
BRI 487232	3	76.200	4.1/2	114.30	2	50.800
BRI 527632	3.1/4	82.550	4.3/4	120.65	2	50.800
BRI 528032	3.1/2	82.550	5	127.00	2	50.800

